

FEATURES

- ◆ Footprint from 1.46cm²
- ◆ I/O isolation voltage 1000VDC
- ◆ Operating Temperature: -40°C ~ +85°C
- ◆ High efficiency up to 86%
- ◆ Fully encapsulated toroidal magnetics
- ◆ Internal SMD construction
- ◆ Power density up to 1.44W/cm³
- ◆ No electrolytic or tantalum capacitors
- ◆ 5V,9V,12V and 15V output
- ◆ No heatsink required
- ◆ Dual output from a single input rail
- ◆ UL 94V-0 package material
- ◆ No external components required
- ◆ Industry standard pinout
- ◆ Power sharing on output
- ◆ MTTF up to 1.5 million hours

MODEL SELECTION

2A^①05^②05^③X^④S^⑤

- ① Product Series
- ② Input Voltage
- ③ Output Voltage
- ④ Fixed Input
- ⑤ SIP Package

APPLICATIONS

The 2A-X(S)D series of industrial temperature range DC/DC converters are the standard building blocks for on-board distributed power systems. They are ideally suited for providing dual rail supplies on primarily digital boards with the added benefit of galvanic isolation to reduce switching noise. All of the rated power may be drawn from a single pin provided the total load does not exceed 2 Watt. Pin compatibility with the A-X(S)D-1W series ensures minimal effort in upgrading distributed power systems.



CE REACH
MICRODC RESERVES THE COPYRIGHT

SELECTION GUIDE

Order code	Input		Output		Efficiency (%.Typ.)	Isolation Capacitance pF	MTTF ¹ KHrs
	Voltage(VDC)	Current (mA)	Voltage (VDC)	Current (mA)			
	Nominal	MAX					
2A0505XS	5	500	±5	±200	80	24	1574
2A0509XS	5	494	±9	±111	81	28	663
2A0512XS	5	488	±12	±83	82	30	338
2A0515XS	5	476	±15	±67	84	33	187
2A0518XS	5	465	±18	±55	80	36	155
2A1205XS	12	208	±5	±200	80	35	490
2A1209XS	12	201	±9	±111	83	55	343
2A1212XS	12	198	±12	±83	84	63	229
2A1215XS	12	198	±15	±67	84	66	148
2A1218XS	12	190	±18	±55	82	60	138
2A1505XS	15	103	±5	±200	81	41	318
2A1512XS	15	98	±12	±111	85	75	249
2A2405XS	24	107	±5	±200	82	55	490
2A2412XS	24	97	±12	±83	86	95	183
2A2415XS	24	97	±15	±67	86	104	127
2A2418XS	24	95	±18	±55	85	108	120
2A4805XS	48	51	±5	±200	82	45	235
2A4809XS	48	51	±9	±111	82	74	195
2A4812XS	48	49	±12	±83	85	90	152
2A4815XS	48	49	±15	±67	85	112	112
2A0505XD	5	500	±5	±200	80	24	1574
2A0509XD	5	494	±9	±111	81	28	663
2A0512XD	5	488	±12	±83	82	30	338
2A0515XD	5	476	±15	±67	84	33	187
2A1205XD	12	208	±5	±200	80	35	490
2A1209XD	12	201	±9	±111	83	55	343
2A1212XD	12	198	±12	±83	84	63	229
2A1215XD	12	198	±15	±67	84	66	148
2A1505XD	15	103	±5	±200	81	41	318
2A1512XD	15	98	±12	±111	85	75	249
2A2405XD	24	107	±5	±200	80	40	157
2A2412XD	24	97	±12	±83	86	95	183
2A2415XD	24	97	±15	±67	86	104	127
2A4805XD	48	51	±5	±200	82	45	235
2A4809XD	48	51	±9	±111	82	74	195
2A4812XD	48	49	±12	±83	85	90	152
2A4815XD	48	49	±15	±67	85	112	112

1. Calculated using MIL-HDBK-217F with nominal input voltage at full load.

All specifications typical at TA=25°C, nominal input voltage and rated output current unless otherwise specified.

Absolute Maximum Ratings

Parameter	Conditions
Lead temperature 1.5mm from case for 10 seconds	300°C
Internal power dissipation	300mW
Input voltage V _i , A05 types	7V
Input voltage V _i , A12 types	15V
Input voltage V _i , A15 types	18V
Input voltage V _i , A24 types	28V
Input voltage V _i , A48 types	54V

Input Characteristics

Parameter	Conditions	Min.	Typ.	Max.	Units
Voltage range	Continuous operation, 5V input types	4.5	5	5.5	VDC
	Continuous operation, 12V input types	10.8	12	13.2	VDC
	Continuous operation, 15V input types	13.5	15	16.5	VDC
	Continuous operation, 24V input	21.6	24	26.4	VDC
	Continuous operation, 48V input	43.2	48	52.8	VDC
Reflected ripple current	5V input types		50		mA p-p
	12V input types		70		mA p-p
	24V input types		130		mA p-p
	48V input types		200		mA p-p

Output Specifications

Parameter	Conditions	Min.	Typ.	Max.	Units
Rated Power	TA= -40°C to 85°C			2.0	W
Voltage Set Point Accuracy	A0505XD/A0505XS	-5		7.5	%
	All other types	-5		5	%
Line regulation	High VIN to low VIN		1.0	1.2	%%
Line regulation(A24、A48)	High VIN to low VIN			1.2	%%
Load regulation	10% load to rated load, 5V output types		5	10	%
	10% load to rated load, 9V output types		3	10	%
	10% load to rated load, 12V output types		3	10	%
	10% load to rated load, 15V output types		3	10	%
Ripple & Noise	BW=DC to 20MHz, 5V output types		150	200	mV p-p
	BW=DC to 20MHz, 9V output types		100	150	mV p-p
	BW=DC to 20MHz, 12V output types		80	150	mV p-p
	BW=DC to 20MHz, 15V output types		70	150	mV p-p

Isolation Characteristics

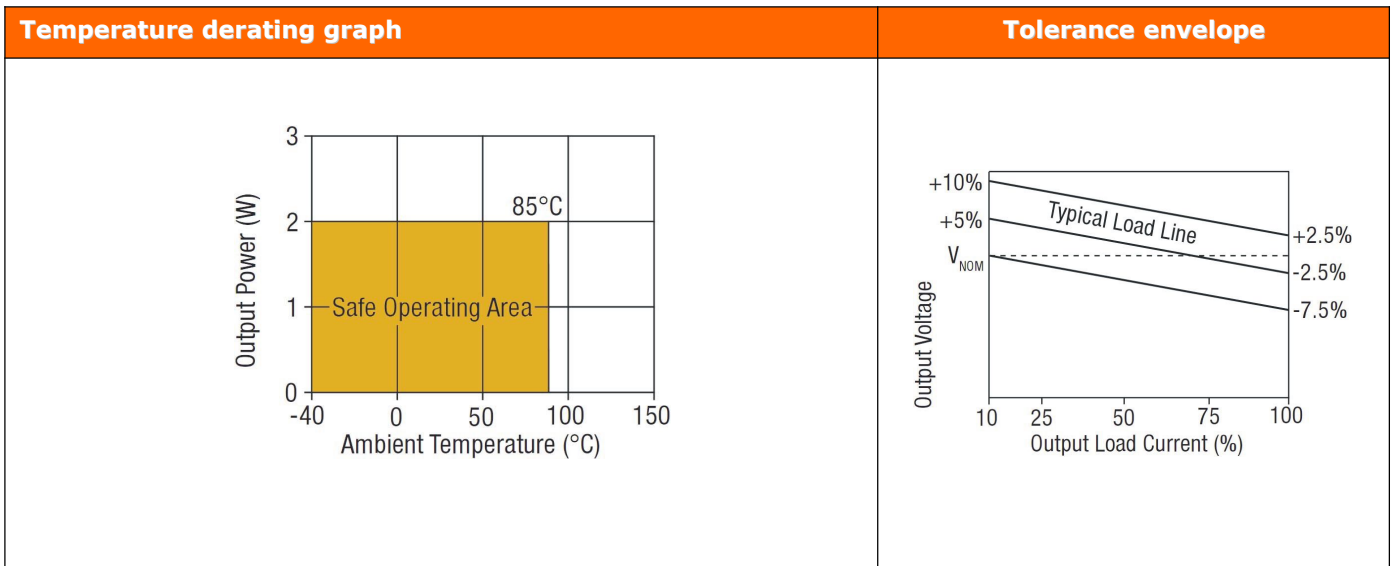
Parameter	Conditions	Min.	Typ.	Max.	Units
Isolation voltage	Flash tested for 1 second	1000			VDC
Resistance	Viso= 500VDC	1	10		GΩ

General Characteristics

Parameter	Conditions	Min.	Typ.	Max.	Units
Switching frequency	5V input types		95		kHz
	12V input types		90		kHz
	15V input types		85		kHz
Switching frequency(A24、A48)	24V & 48V input types		80		kHz

Temperature Characteristics

Parameter	Conditions	Min.	Typ.	Max.	Units
Specification	All output types	-40		85	°C
Storage		-50		130	°C
Case temperature rise above ambient	5V output types		30		°C
	12V output types		25		°C
Cooling	Free air convection				



Technical notes

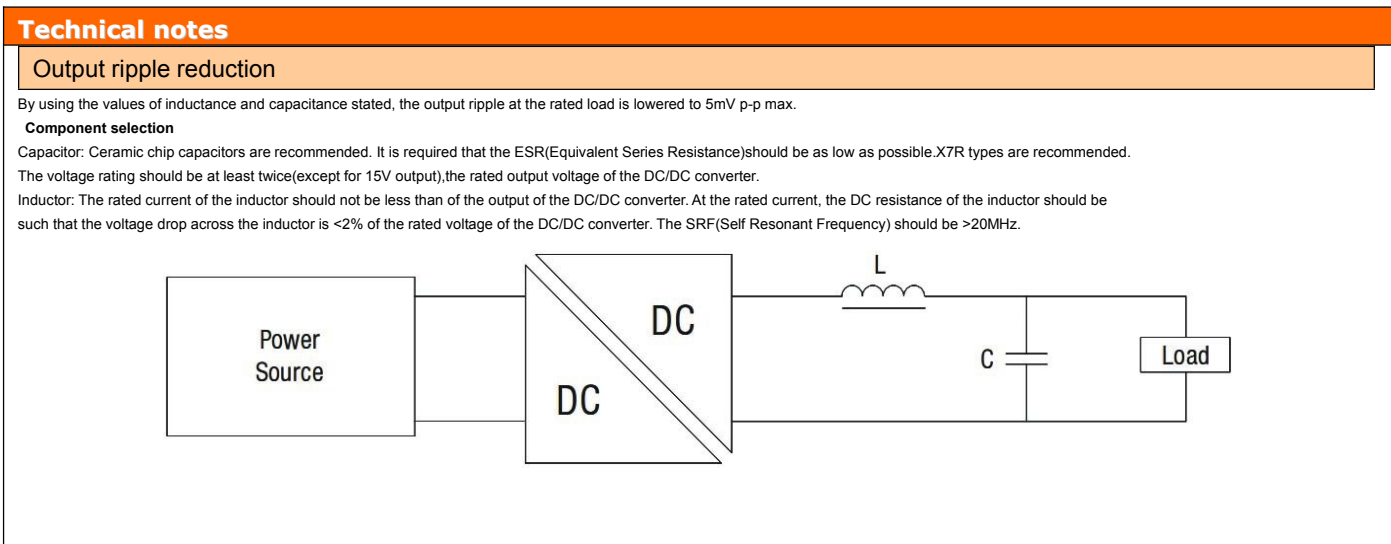
ISOLATION VOLTAGE
 "Hi Pot Test", "Flash Tested", "Withstand Voltage", "Dielectric Withstand Voltage" & " Isolation Test Voltage" are all terms that relate to the same thing, a test voltage. Applied for a specified time, across a component designed to provide electrical isolation, to verify the integrity of that isolation. Professional Power Module A series of DC/DC converters are all 100% production tested at their stated isolation voltage. This is 1KVDC for 1 second.

A question commonly asked is, "What is the continuous voltage that can be applied across the part in normal operation?"

For a part holding no specific agency approvals, such as the A series, both input and output should normally be maintained within SELV limits i.e. less than 42.4V peak, or 60VDC. The isolation test voltage represents a measure of immunity to transient voltages and the part should never be used as an element of a safety isolation system. The part could be expected to function correctly with several hundred volts offset applied continuously across the isolation barrier, but then the circuitry on both sides of the barrier must be regarded as operating at an unsafe voltage and further isolation/insulation systems must form a barrier between these circuits and any user-accessible circuitry according to safety standard requirements.

REPEATED HIGH-VOLTAGE ISOLATION TESTING
 It is well known that repeated high-voltage isolation testing of a barrier component can actually degrade isolation capability, to a lesser or greater degree depending on materials, construction and environment. The A series has toroidal isolation transformers, with no additional insulation between primary and secondary windings of enameled wire. While parts can be expected to withstand several times the stated test voltage, the isolation capability does depend on the wire insulation. Any material, including this enamel (typically polyurethane) is susceptible to eventual chemical degradation when subject to very high applied voltages thus implying that the number of tests should be strictly limited. We therefore strongly advise against repeated high voltage isolation testing, but if it is absolutely required, that the voltage be reduced by 20% from specified test voltage.

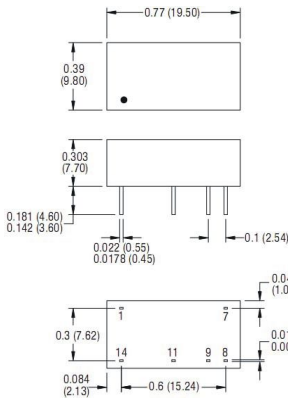
This consideration equally applies to agency recognized parts for better than functional isolation where the wire enamel insulation is always supplemented by a further insulation system of physical spacing or barriers.



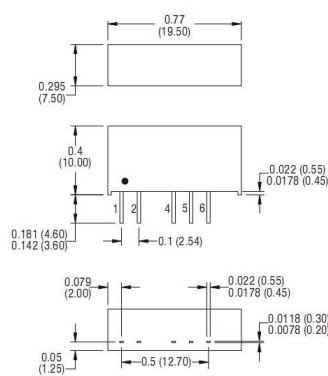
OUTLINE DIMENSIONS & FOOTPRINT DETAILS

MECHANICAL DIMENSIONS

DIP Package



SIP Package



All dimensions in inches ± 0.01 (mm ± 0.25 mm). All pins on a 0.1 (2.54) pitch and within ± 0.01 (0.25) of true position.
Weight: 2.4g (DIP) 2.1g (SIP)

FOOTPRINT DETAILS

-14 PIN DIP

Pin	Function
1	-Vin
7	NC
8	0V
9	+Vout
11	-Vout
14	+Vin

-7 PIN SIP

Pin	Function
1	+Vin
2	-Vin
4	-Vout
5	0V
6	+Vout

NC - Not available for electrical connection.

Specifications can be changed any time without notice.

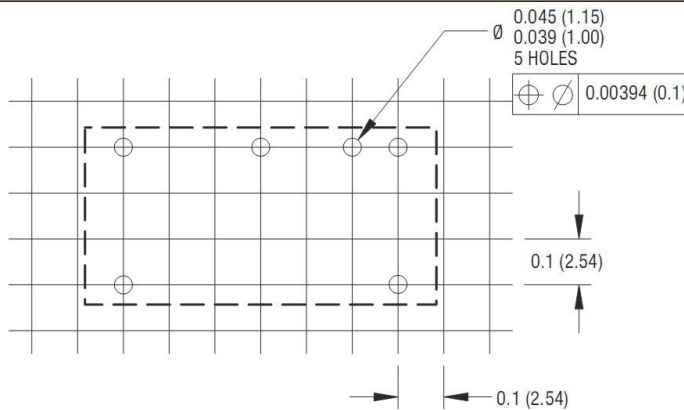
No parallel connection or plug and play.

Note:

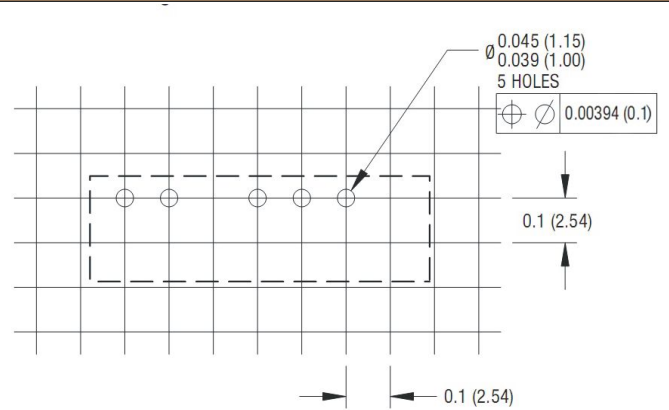
- The load shouldn't be less than 10%, otherwise ripple will increase dramatically.
- Operation under 10% load will not damage the converter; However, they may not meet all specification listed.
- All specifications measured at $T_a=25^\circ\text{C}$, humidity < 75%, nominal input voltage and rated output load unless otherwise specified.
- In this datasheet, all the test methods of indications are based on corporate standards.

Recommended footprint details

14 PIN DIP Package

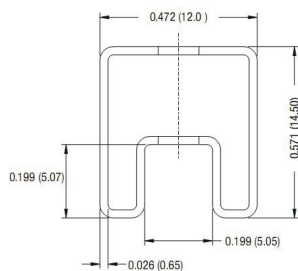


7 PIN SIP Package

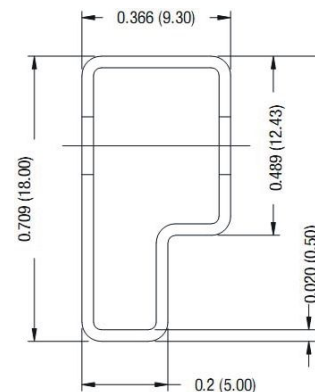


TUBE OUTLINE DIMENSIONS

14 PIN DIP Tube



7 PIN SIP Tube



Unless otherwise stated all dimensions in inches (mm) ± 0.5 mm.

Tube length (14 Pin DIP) : 20.47 (520mm ± 2 mm).

Tube length (7 Pin SIP) : 20.47 (520mm ± 2 mm).

Tube Quantity :25